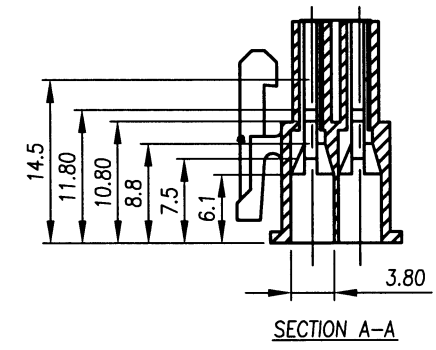
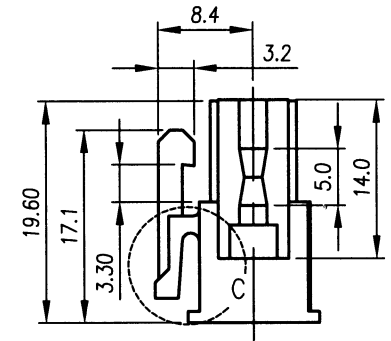
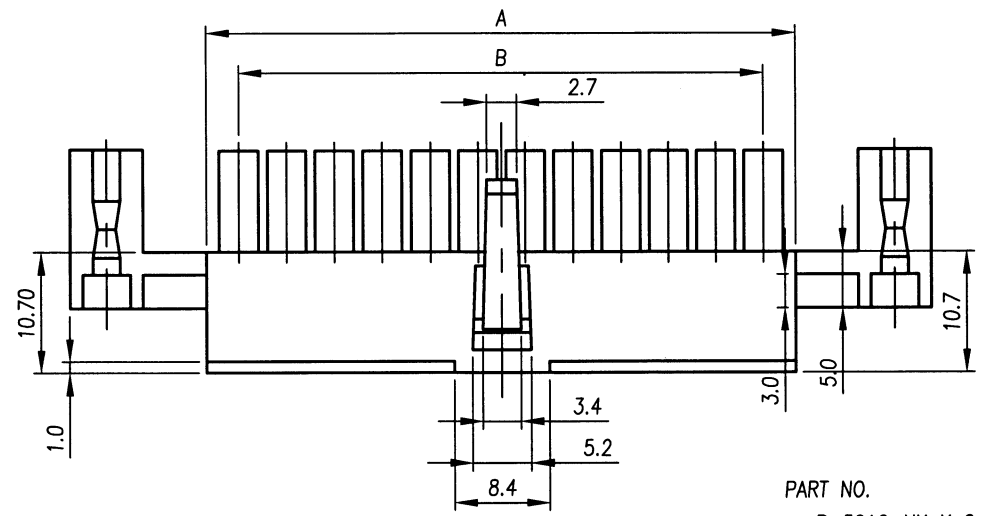
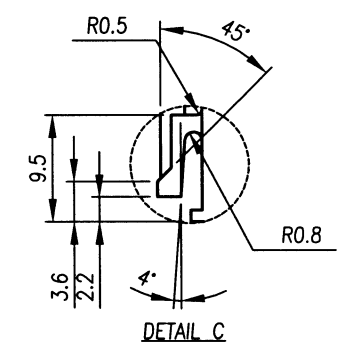
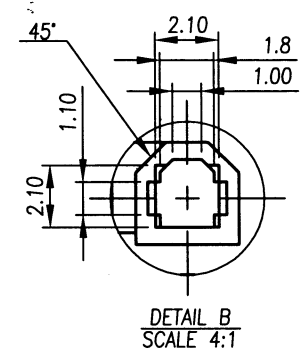
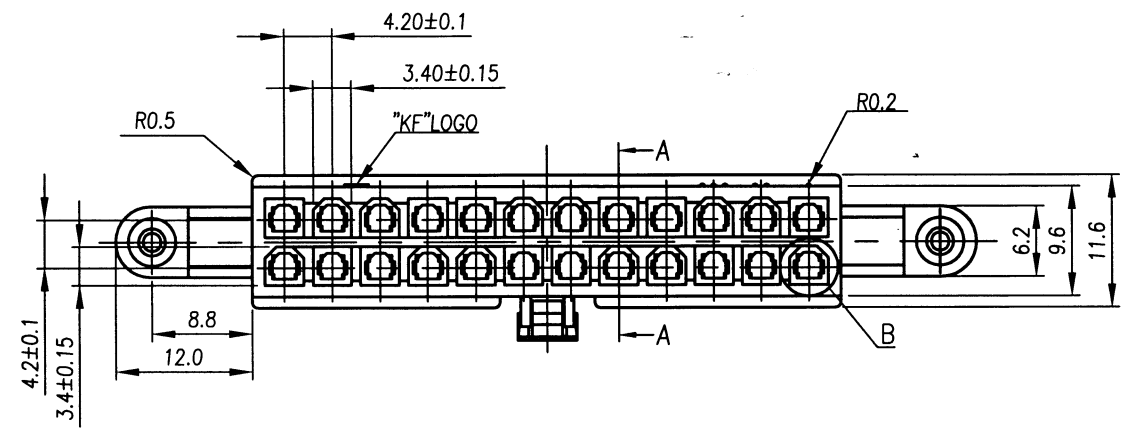


1 2 3 4 5 6 7 8

F  
E  
D  
C  
B  
A

REV	MODIFICATION	DATE	DRAW



PART NO. P-5016-NX X 2 XX 00  
 NYLON 66 (UL94V-0)  
 NYLON 66 (UL94V-2)  
 COLOR: M--MILK WHITE W--WHITE  
 PIN NO.

NOTE:  
 1. DRAFT ANGLE: 1° Max.  
 2. MATERIAL: NYLON 66 (UL94-0) (UL94-2)

Part No.	Dimension		Part No.	Dimension	
	A	B		A	B
P-5016-NXX20200	5.6		P-5016-NXX21400	30.8	25.20
P-5016-NXX20400	9.8	4.20	P-5016-NXX21600	35.0	29.40
P-5016-NXX20600	14.0	8.40	P-5016-NXX21800	39.2	33.60
P-5016-NXX20800	18.2	12.60	P-5016-NXX22000	43.4	37.80
P-5016-NXX21000	22.4	16.80	P-5016-NXX22200	47.6	42.00
P-5016-NXX21200	26.6	21.00			

DIMENSION IN mm [Inch]		PROD. SPEC.
TOLERANCE UNLESS OTHERWISE SPECIFIED		PKG. SPEC.
.X±0.25	X.'± 1"	APPROVE <i>JR/02</i>
.XX±0.13	.X'±	CHECK <i>JR/02</i>
.XXX±0.06	.XX'±	DRAW <i>Emilio</i>

KINGFONT PRECISION INDUSTRIAL CO., LTD.	
TITLE PLUG HOUSING FOR MINI FIT CUSTOMER DRAWING	
FILE NO.	DWG NO. P-5016-NXX2XX00
SIZE A4	PROJ.  SHEET 1 / 1
SCALE 1.5:1	REV A

1 2 3 4 5 6 7 8 RQR-51 0121