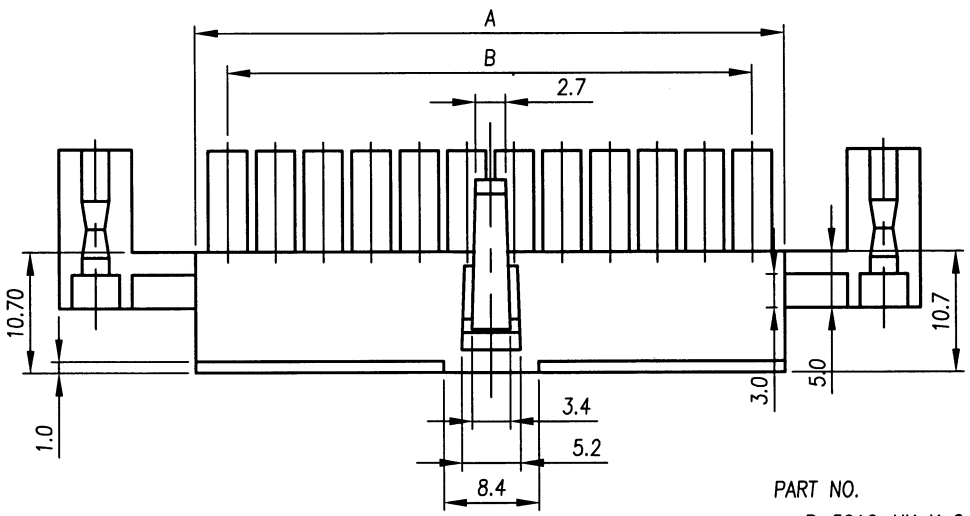
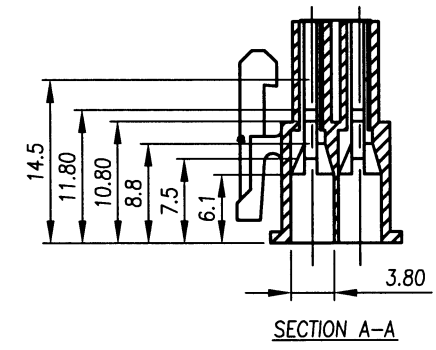
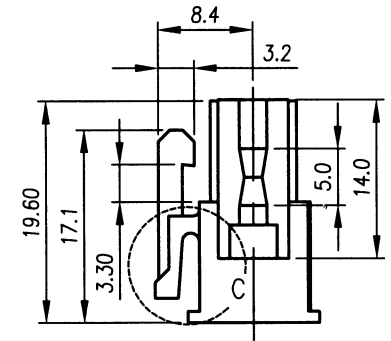
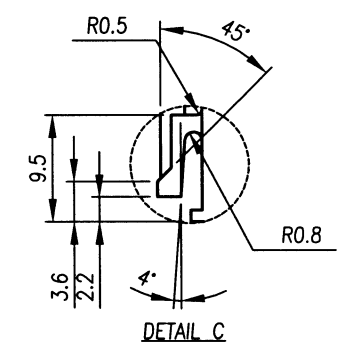
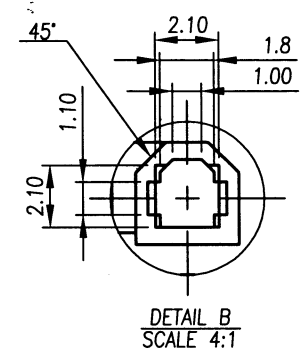
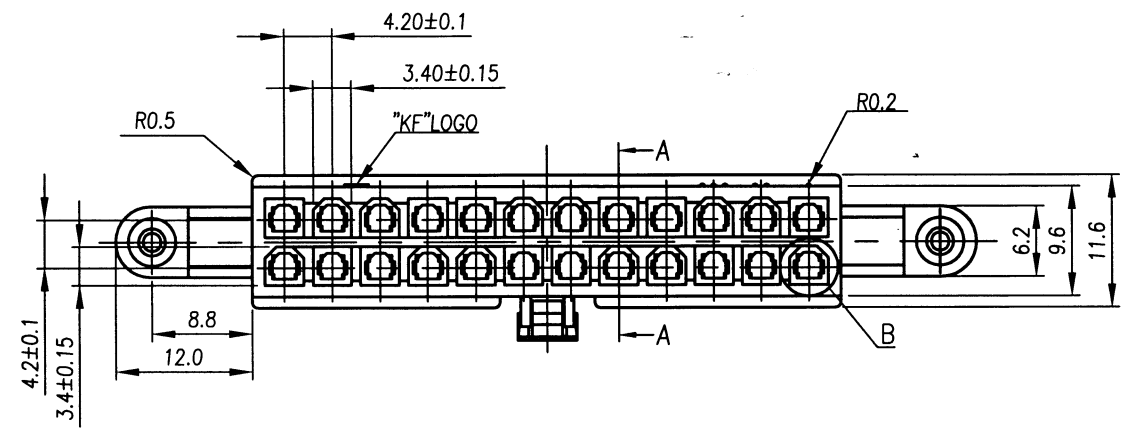


1 2 3 4 5 6 7 8

F
E
D
C
B
A

| REV | MODIFICATION | DATE | DRAW |
|-----|--------------|------|------|
| | | | |
| | | | |
| | | | |



PART NO. P-5016-NX X 2 XX 00
 NYLON 66 (UL94V-0)
 NYLON 66 (UL94V-2)
 COLOR: M--MILK WHITE W--WHITE
 PIN NO.

NOTE:
 1. DRAFT ANGLE: 1° Max.
 2. MATERIAL: NYLON 66 (UL94-0) (UL94-2)

| Part No. | Dimension | | Part No. | Dimension | |
|-----------------|-----------|-------|-----------------|-----------|-------|
| | A | B | | A | B |
| P-5016-NXX20200 | 5.6 | | P-5016-NXX21400 | 30.8 | 25.20 |
| P-5016-NXX20400 | 9.8 | 4.20 | P-5016-NXX21600 | 35.0 | 29.40 |
| P-5016-NXX20600 | 14.0 | 8.40 | P-5016-NXX21800 | 39.2 | 33.60 |
| P-5016-NXX20800 | 18.2 | 12.60 | P-5016-NXX22000 | 43.4 | 37.80 |
| P-5016-NXX21000 | 22.4 | 16.80 | P-5016-NXX22200 | 47.6 | 42.00 |
| P-5016-NXX21200 | 26.6 | 21.00 | | | |

| DIMENSION IN mm [Inch] | | PROD. SPEC. |
|--------------------------------------|---------|----------------------------|
| TOLERANCE UNLESS OTHERWISE SPECIFIED | | PKG. SPEC. |
| .X±0.25 | X.'± 1" | APPROVE <i>[Signature]</i> |
| .XX±0.13 | .X'± | CHECK <i>[Signature]</i> |
| .XXX±0.06 | .XX'± | DRAW <i>[Signature]</i> |

| | |
|---|-------------------------|
| KINGFONT PRECISION INDUSTRIAL CO., LTD. | |
| TITLE PLUG HOUSING FOR MINI FIT | |
| FILE NO. | DWG NO. P-5016-NXX2XX00 |
| SIZE A4 | PROJ. SHEET 1 / 1 |
| SCALE 1.5:1 | REV A |

1 2 3 4 5 6 7 8 RQR-51 0121