

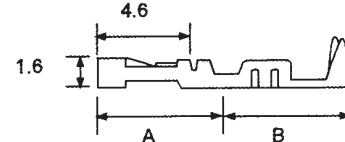
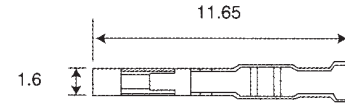
# 254G3 CONNECTOR SYSTEM

.10" (2.54mm) pitch wire(board)-to-board



## 254G3-(1,2)H SERIES HOUSING

MATERIAL : PBT+30% GF UL 94V-0  
 ACCPT 254G3-T TERMINAL  
 MATE WITH 254G3 SERIES PIN HEADER  
 CURRENT RATING : 2.5A AC,DC  
 VOLTAGE RATING : 250V AC,DC  
 CONTACT RESISTANCE : 30m $\Omega$  MAX  
 INSULATION RESISTANCE : 1000M  $\Omega$  MIN  
 WITHSTANDING VOLTAGE : 1500V AC/MINUTE  
 TEMPERATURE RANGE : -25°C TO +85°C

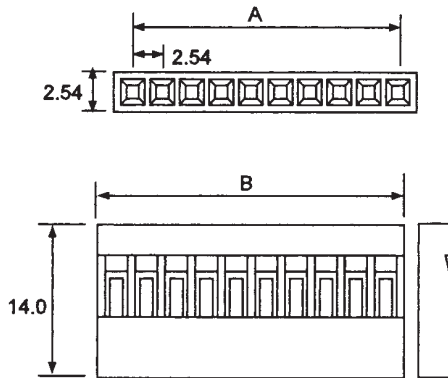


A: gold flash

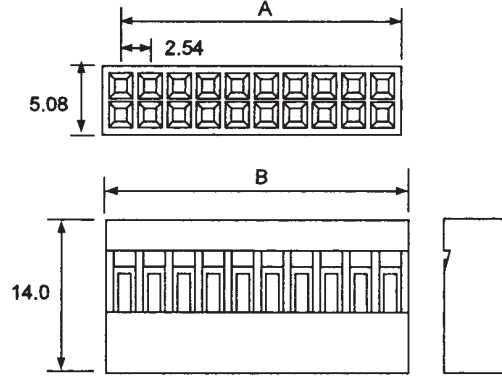
B: Ni-plated

PART NO.	WIRE RANGE		MATERIAL/	THICKNESS	INSULATION	REEL
	AWG#	mm <sup>2</sup>	FINISH	mm	O.D.(mm)	PCS
254G3-GT	22-28	0.33-0.08	BRASS/GOLD	0.20	1.7-0.9	10000

### 254G3-1H (1xN)



### 254G3-2H (2xN)



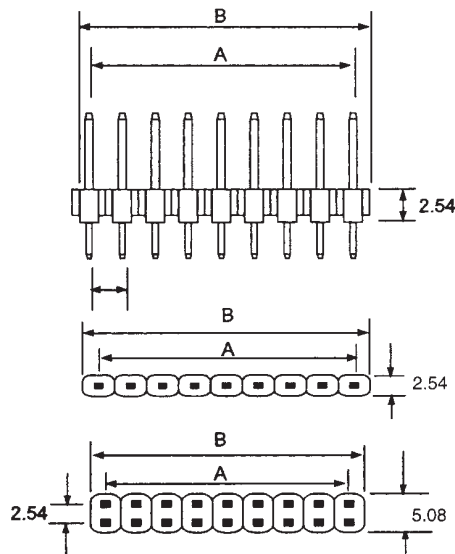
DIMENSIONS INFORMATION(mm)			DIMENSIONS INFORMATION(mm)			DIMENSIONS INFORMATION(mm)		
POLES	A	B	POLES	A	B	POLES	A	B
1(2)		2.54	15(30)	35.56	38.10	29(58)	71.72	73.66
2(4)	2.54	5.08	16(32)	38.10	40.64	30(60)	73.66	76.20
3(6)	5.08	7.62	17(34)	40.64	43.18	31(62)	76.20	78.74
4(8)	7.62	10.16	18(36)	43.18	45.72	32(64)	78.74	81.28
5(10)	10.16	12.70	19(38)	45.72	48.26	33(66)	81.28	83.82
6(12)	12.70	15.24	20(40)	48.26	50.80	34(68)	83.82	86.36
7(14)	15.24	17.78	21(42)	50.80	53.34	35(70)	86.36	88.90
8(16)	17.18	20.32	22(44)	53.34	55.88	36(72)	88.90	91.44
9(18)	20.32	22.86	23(46)	55.88	58.42	37(74)	91.44	93.98
10(20)	22.86	25.40	24(48)	58.42	60.96	38(76)	93.98	96.52
11(22)	25.40	27.94	25(50)	60.96	63.50	39(78)	96.52	99.06
12(24)	27.94	30.48	26(52)	63.50	66.04	40(80)	99.06	101.60
13(26)	30.48	33.02	27(54)	66.04	68.58			
14(28)	33.02	35.56	28(56)	68.58	71.72			

# 254G3 CONNECTOR PIN HEADER

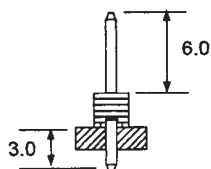


.10" (2.54mm) pitch pin header

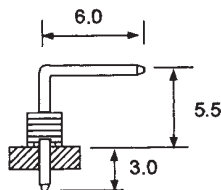
MATERIAL : PBT + 30% GF UL 94V-0  
 PIN BRASS GOLD FLASH  
 CURRENT RATING : 2.5A AC, DC  
 VOLTAGE RATING : 250V AC, DC  
 CONTACT RESISTANCE : 30m $\Omega$  MAX  
 INSULATION RESISTANCE : 1000M $\Omega$  MIN  
 WITHSTANDING VOLTAGE : 1500V AC/MINUTE  
 TEMPERATURE RANGE : -25°C TO +85°C  
 SQ PIN : 0.64 MM  
 PC BOARD THICKNESS : 0.6 TO 1.2MM



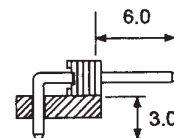
254G3-1V (1xN)



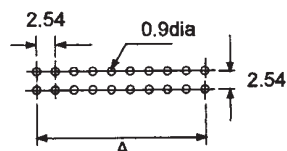
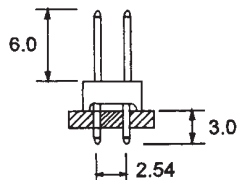
254G3-1R (1xN)



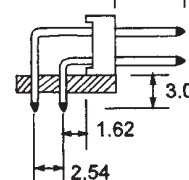
254G3-1L (1xN)



254G3-2V (2xN)



254G3-2L (2xN)



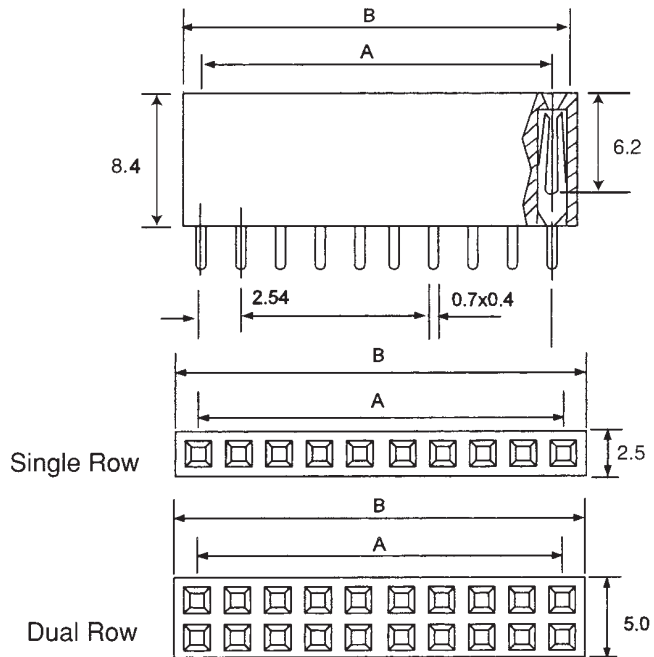
DIMENSIONS INFORMATION(mm)			DIMENSIONS INFORMATION(mm)			DIMENSIONS INFORMATION(mm)		
POLES	A	B	POLES	A	B	POLES	A	B
1(2)		2.54	15(30)	35.56	38.10	29(58)	71.72	73.66
2(4)	2.54	5.08	16(32)	38.10	40.64	30(60)	73.66	76.20
3(6)	5.08	7.62	17(34)	40.64	43.18	31(62)	76.20	78.74
4(8)	7.62	10.16	18(36)	43.18	45.72	32(64)	78.74	81.28
5(10)	10.16	12.70	19(38)	45.72	48.26	33(66)	81.28	83.82
6(12)	12.70	15.24	20(40)	48.26	50.80	34(68)	83.82	86.36
7(14)	15.24	17.78	21(42)	50.80	53.34	35(70)	86.36	88.90
8(16)	17.18	20.32	22(44)	53.34	55.88	36(72)	88.90	91.44
9(18)	20.32	22.86	23(46)	55.88	58.42	37(74)	91.44	93.98
10(20)	22.86	25.40	24(48)	58.42	60.96	38(76)	93.98	96.52
11(22)	25.40	27.94	25(50)	60.96	63.50	39(78)	96.52	99.06
12(24)	27.94	30.48	26(52)	63.50	66.04	40(80)	99.06	101.60
13(26)	30.48	33.02	27(54)	66.04	68.58			
14(28)	33.02	35.56	28(56)	68.58	71.72			

# 254G3 CONNECTOR FEMALE HEADER



.10" (2.54mm) pitch (profile 8.4mm)

MATERIAL : PBT + 30% GF UL 94V-0  
 PIN BRASS GOLD FLASH  
 MATE WITH 254G3 SERIES PIN HEADER  
 CURRENT RATING : 2.5A AC, DC  
 VOLTAGE RATING : 250V AC, DC  
 CONTACT RESISTANCE : 30m  $\Omega$  MAX  
 INSULATION RESISTANCE : 1000M  $\Omega$  MIN  
 WITHSTANDING VOLTAGE : 1500V AC/MINUTE  
 TEMPERATURE RANGE : -25°C TO +85°C

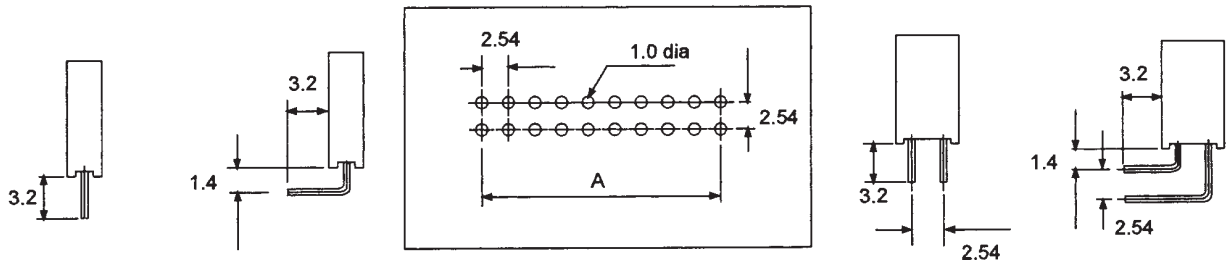


254G3-1FV (1xN)

254G3-1FR (1xN)

254G3-2FV (2xN)

254G3-2FR (2xN)



DIMENSIONS INFORMATION(mm)			DIMENSIONS INFORMATION(mm)			DIMENSIONS INFORMATION(mm)		
POLES	A	B	POLES	A	B	POLES	A	B
2(4)	2.54	5.08	16(32)	38.10	40.64	30(60)	73.66	76.20
3(6)	5.08	7.62	17(34)	40.64	43.18	31(62)	76.20	78.74
4(8)	7.62	10.16	18(36)	43.18	45.72	32(64)	78.74	81.28
5(10)	10.16	12.70	19(38)	45.72	48.26	33(66)	81.28	83.82
6(12)	12.70	15.24	20(40)	48.26	50.80	34(68)	83.82	86.36
7(14)	15.24	17.78	21(42)	50.80	53.34	35(70)	86.36	88.90
8(16)	17.18	20.32	22(44)	53.34	55.88	36(72)	88.90	91.44
9(18)	20.32	22.86	23(46)	55.88	58.42	37(74)	91.44	93.98
10(20)	22.86	25.40	24(48)	58.42	60.96	38(76)	93.98	96.52
11(22)	25.40	27.94	25(50)	60.96	63.50	39(78)	96.52	99.06
12(24)	27.94	30.48	26(52)	63.50	66.04	40(80)	99.06	101.60
13(26)	30.48	33.02	27(54)	66.04	68.58	41(82)	101.60	104.14
14(28)	33.02	35.56	28(56)	68.58	71.72	42(84)	104.14	106.68
15(30)	35.56	38.10	29(58)	71.72	73.66	43(86)	106.68	109.22